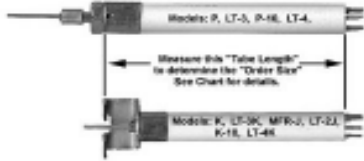


KILN TUBE ASSEMBLYS

SKUTT #	SIZE	PRICE
KS-4A	P-2 1/2	\$46.00ea
KS-4B	P-3	\$46.00ea
KS-4C	P-4	\$46.00ea
KS-4D	P-4 1/2	\$46.00ea
KS-4E	P-5	\$46.00ea
KS-4F	P-5 1/2	\$46.00ea
KS-4G	P-6	\$46.00ea
KS-4H	P-7	\$46.00ea
KS-4L	P3 1/2	\$46.00ea
0114	K-SHORT	\$46.00ea
0339	K-LONG	\$46.00ea
0369	K-XLONG	\$46.00ea

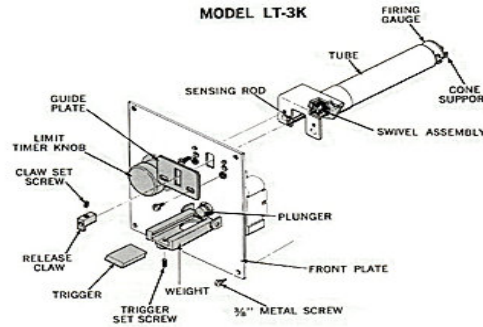


KILN PATCH

1lb.	\$4.00
5lb.	\$17.50
10lb.	\$30.00
15lb. Pail	\$45.00

KILN SITTERS

PART #	DESCRIPTION	PRICE
LT-3K	Kiln Sitter With Timer	\$140.00ea
LT-3	Kiln Sitter With Timer/Box	\$150.00ea
K	Kiln Sitter	\$120.00ea
P	Kiln Sitter With Box	\$135.00ea
LT-3K-H	Kiln Sitter With Timer (75 AMP)	\$175.00ea
LT-3KR	Kiln Sitter With Ramp	\$185.00ea
LT-3H	Kiln Sitter With Timer	\$190.00ea



We stock parts for most makes & models and can order any we do not have. Call us pricing.

KILN VENTS

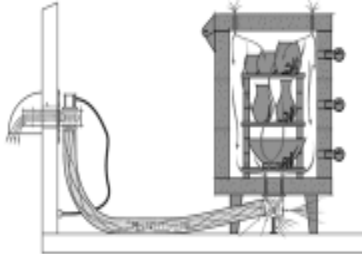
20% Discount & Freight

SKUTT

Envirovent 2	\$515.00
Dual intake to vent two Kilns	\$160.00
8 Foot Extension	\$32.00
EnviroLink	\$128.00

PARAGON

Orton Vent Master (120 volt)	\$565.41
Orton Vent Master (208-240 volt)	\$565.41
Vent Master Expansion Kit (Two Kilns)	\$249.29



Used Kilns

Dakota Potters Supply often has good, reliable rebuilt used kilns. Check us out before you buy.

SENSING RODS PRICE \$9.00ea

** Measure the Sensing Rod in Your Kiln for the Length that you Require.

CONE SUPPORTS \$9.00ea

All Dawson Kiln Sitters use the same cone supports.

Dawson Kiln Setter Parts by Skutt Kiln Company

Most Models of kiln setters are Dawson. We stock and order parts for all models.

Kiln Repair

Available here. With over 38 years experience our repair-man (*Tom Clarke*) should be able to fix your kiln as good as new. Onsite Kiln repair available.

Call for Estimates.

Need new elements or other parts. We can order from most Major Brands.

Dakota Potters Supply will help you get the right elements. Call For Price Quotes. We also Sell Parts and Accessories.

PRICES SUBJECT TO CHANGE WITHOUT NOTICE